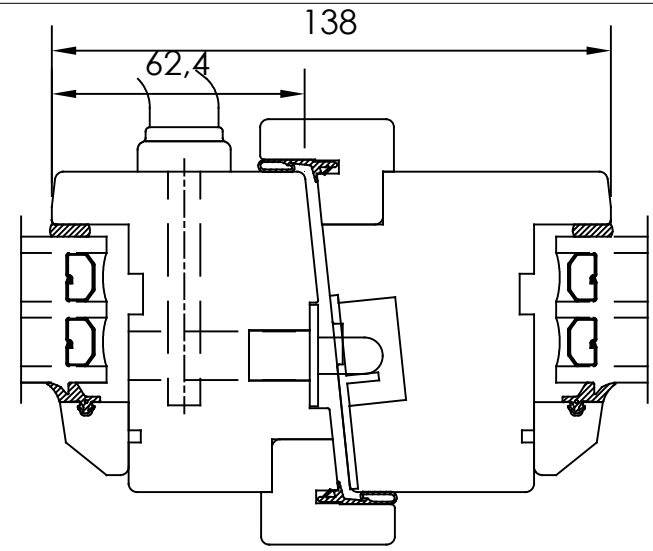
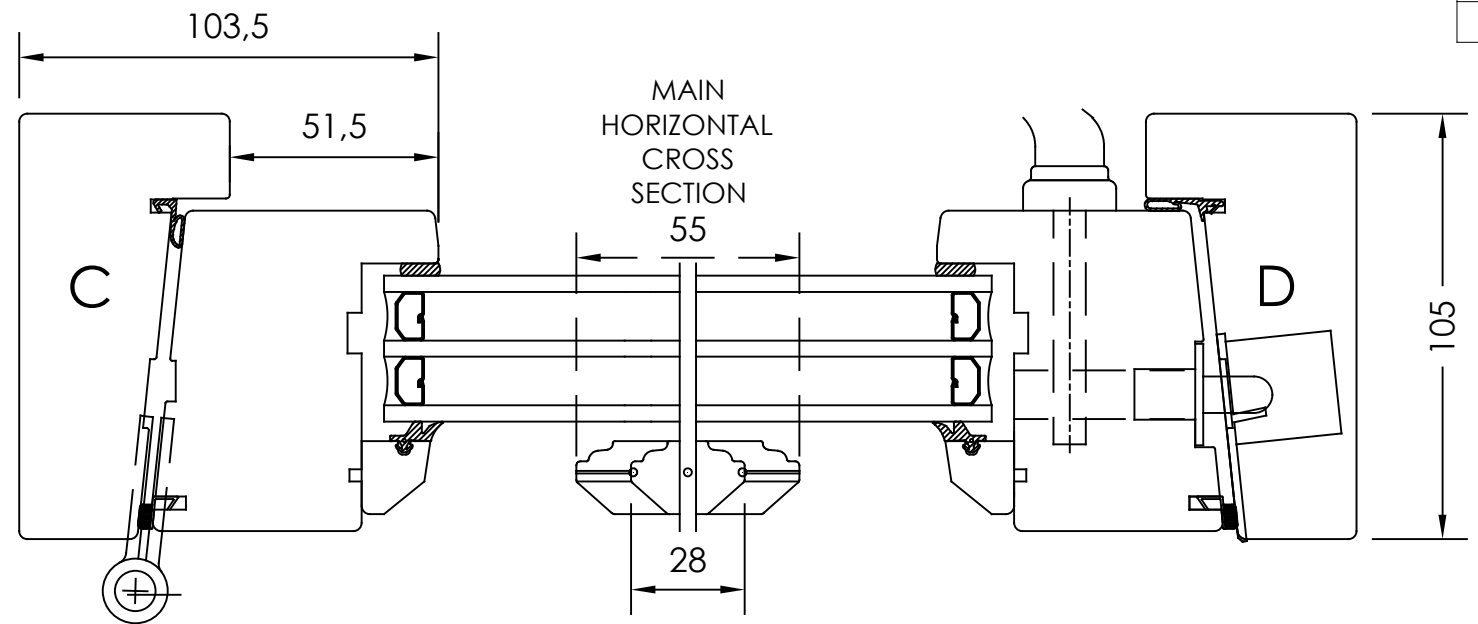
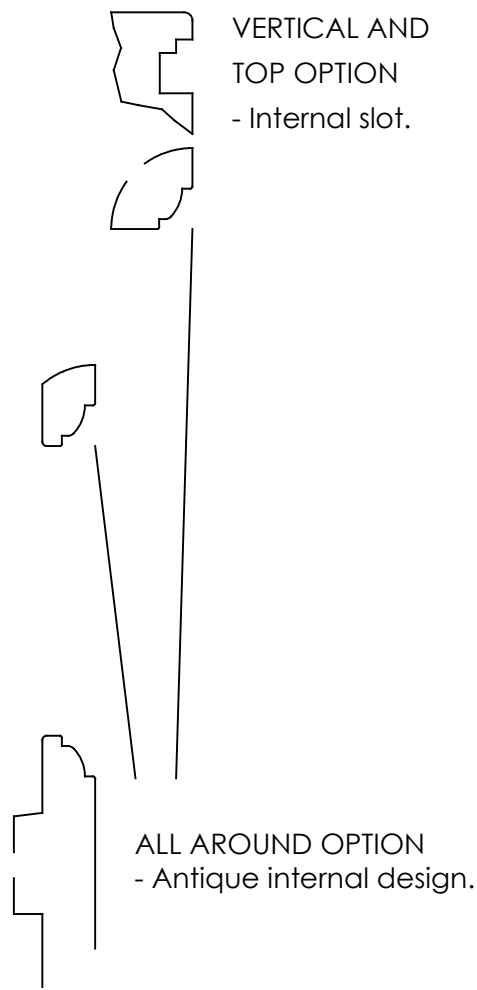
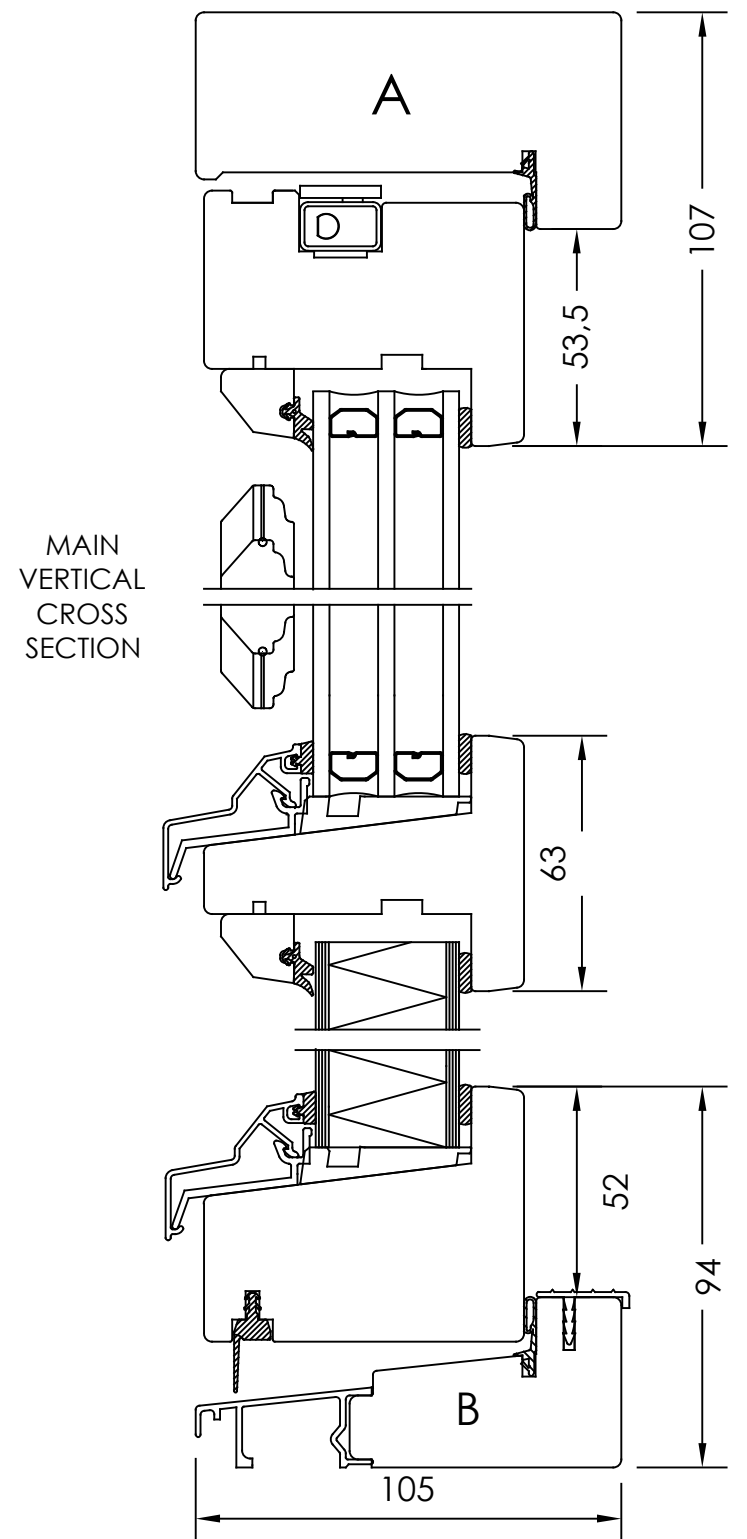


Rev	Description	Rev. by	Date

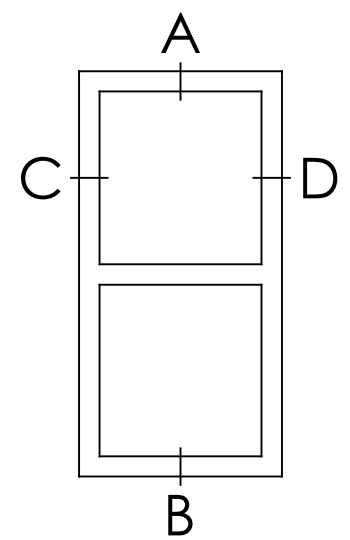


HORIZONTAL CS OPTION
- Two horizontal abutting sashes.

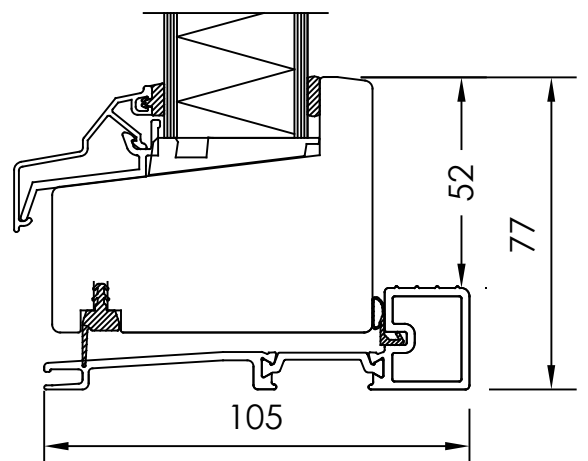


VERTICAL AND TOP OPTION
- Internal slot.

ALL AROUND OPTION
- Antique internal design.



VERTICAL CS OPTION
- Low handicap threshold.



Designed by SH	Designed date 2019-05-15	Product Category Window Outward	Processing Code
Approved by	Approved date	Product Type Side Hung	Material
		Dörr	Tolerances unless otherwise specified
		3 glas, glaslist 1	ISO 2768-1 m
		Door	Article Number
		3-glass, glazing bead 1	View orientation
			Scale 1:1
			Revision (A)
			Drawing Number 61-37-D001 E